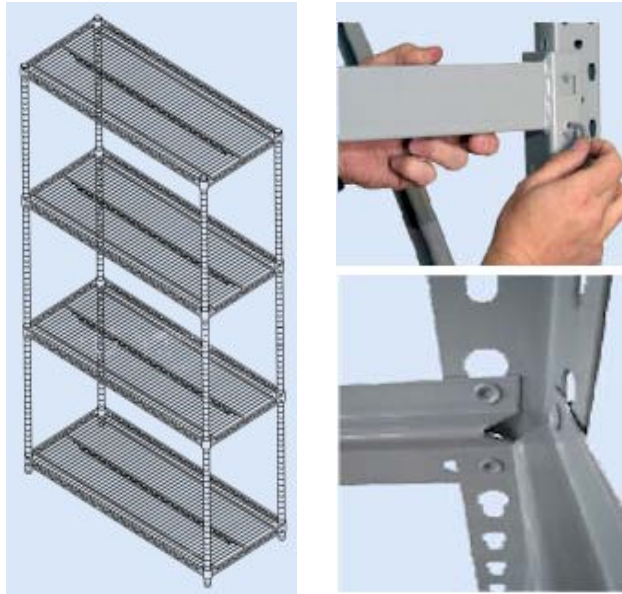


## Boltless Shelving System



Absolute Office Interiors' Rivet Rack Archive Shelving is the ideal product for storage of archive boxes, documents & plans. Specially designed shelf lengths minimise any wasted storage space.

The utilisation of boltless stepped-section beams allows for the flush-fitting of shelf inserts, maximising clearances and protecting the board or steel.

- No nuts and bolts required thus enables easy installation
- Lighter duty racking system suitable for small to medium sized goods
- Special stepped beam profile allows true protection of flush fitting shelf inserts
- Versatile system offering many accessories and storage display options
- Sturdy efficient storage system for archive boxes, hardware products and apparel amongst others....
- Shelves can be accessed from both sides
- Shelves adjustable in 50mm increments
- Shelf levels designed to accommodate loads of up to 400kgs UDL
- Easily converted into mobile shelving for maximum storage efficiency
- Three (3) year warranty
- Powder coated Cyber Grey or Black
- Particleboard, Melamine, Galvanised shelf inserts



### Dimensions:

	<b>Grey (mm)</b>	<b>Black (mm)</b>
<b>Height:</b>	1800	1800
<b>Width:</b>	1200	1200
<b>Depth:</b>	450 & 600	450 & 600

## Easi- Lock Longspan Shelving

Absolute Office Interior's Easi-Lock Longspan Shelving , is the perfect solution no matter what you need to store from small components to heavy cartons. This Easi-Lock Longspan system is fast and easy to assemble, and uses a modular design with a bolt-free lock-in system which requires no special tools, giving you maximum whatever your available space.



Absolute Office Interior's Easi-Lock Longspan Shelving offers you virtually unlimited opportunities to expand your storage capacity, giving you higher density storage and greater flexibility whether you are storing boxes, cartons, tubes or wires. Long, uninterrupted spans of wire or particle board of up to 2405mm also make this Easi-Lock Longspan ideal for a wide range of big and bulky items. Shelves are easily adjusted to your needs as stock patterns change. Designed for safety - all components comply with Australian and European guidelines for safe storage.

### Dimensions:

**Height:** 2000, 2500mm

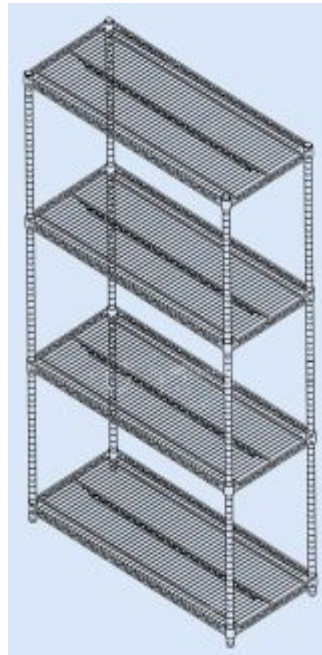
**Width:** 1500, 1800, 2400mm

**Depth:** 600mm for 2000mm high (wire or melamine shelving)

900mm for 2500mm high (melamine shelving only)



## Heavy Duty Wire Shelving:



Absolute Office Interior's Heavy Duty Archive Shelving is the ideal product for storage of standard sized archive boxes, documents & plans. Specially designed shelf lengths minimise any wasted storage space.

The high strength wire shelves are complete with centre support trusses rated at 300 kgs which uniformly distributes the load per shelf.

- Shelves adjustable on 25mm increment
- Supplied as one flat pack bay with 4 shelves
- Suitable for general storage or archive boxes (24 boxes/bay double stacked)
- Easy and fast assembly with boltless design
- Adjustable foot on each upright for uneven floors
- Modern design available in Chrome finish or Silver Grey powder coating.
- Adjustable foot on each upright for uneven floors
- Three (3) year warranty

### Dimensions:

Height: 2030mm  
Width: 1070mm  
Depth: 460mm